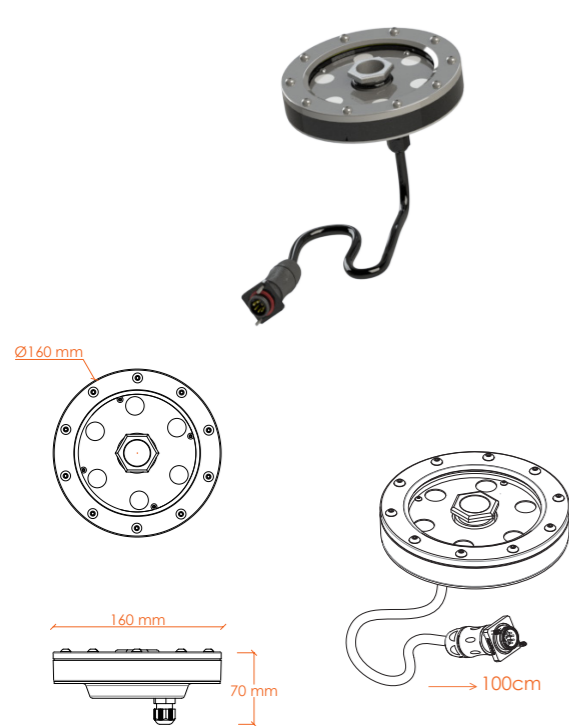


AquaLIGHT 106 C

Bright and Effective Light in Every Space



Our well-proven lights are fitted with energy-efficient LED plates that produce effective illumination. AquaLIGHT 106 C offers a single light option with white variants (wW, W, cW). This powerful light brings even more brightness to darkness and can also be installed in larger fountain systems. Individual fountains and water effects are effectively illuminated with lights like these. Additionally, these vibrant colors show their full potential when combined with the AquaVARIO and AquaSWITCH systems. They create an efficient composition in open space fountains.



- ✓ CREE / Edison PowerLED
- ✓ Driver circuit onboard
- ✓ Aluminium PCB
- ✓ IP68
- ✓ Robust stainless steel
- ✓ Tempered glass
- ✓ DMX + RDM controlled
- ✓ Synchronorm Depence Library available

AquaLIGHT 106 C

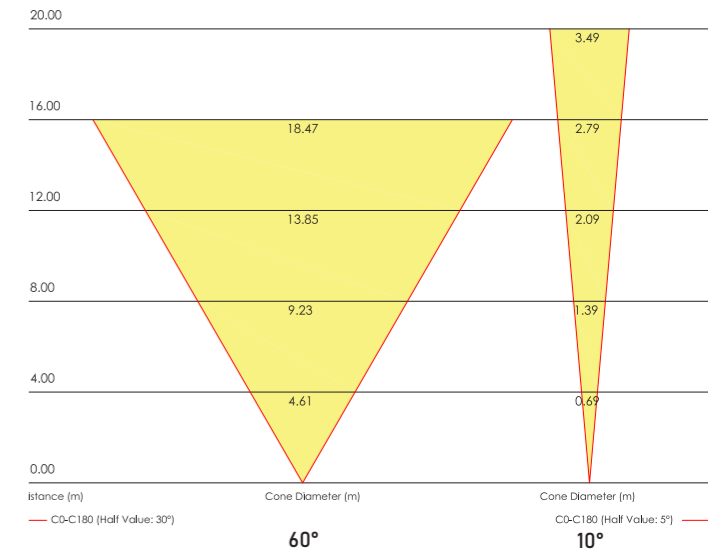
ACCESSORIES

PRODUCT	ORDER NO
BlackBox :	5022
Combo Cable :	page
ByPass Terminal :	page
Comet Nozzle :	page
Top Plate Round Ø 280 :	1203
Top Plate Round Ø 200 :	1201
Top Plate 30x30 :	Design for request
Top Plate Holder :	1207
Bucket :	1206

TECHNICAL DETAILS

MODEL :	AquaLIGHT 106 C
DIMENSION (ØxH) :	160 x 70 mm
VOLTAGE :	24 VDC
POWER :	9 W
CURRENT :	0.4 A
COLORS :	wW / W / cW
POWER & DMX :	Combo Cable
LUMINOUS FLUX RGB FULL :	720 lm
WEIGHT :	0.8 kg
PRODUCT NO :	3036

Lighting Angle:

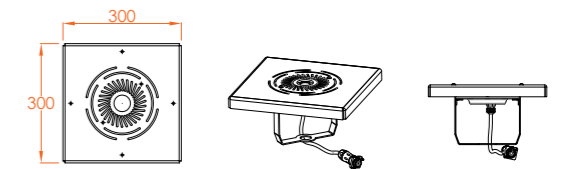


! In lighting, choosing the lens angle is as important as selecting the color or wattage. Small angles retain brightness at long distances, while wide angles cover larger areas but lose brightness over distance.

DryDECK Options :



! Top Plate Round Ø 280 with AquaLIGHT 106 C and Top Plate Holder.



! Top Plate Premium 30x30 with AquaLIGHT 306 C and Top Plate Holder

Connection Schematic :

